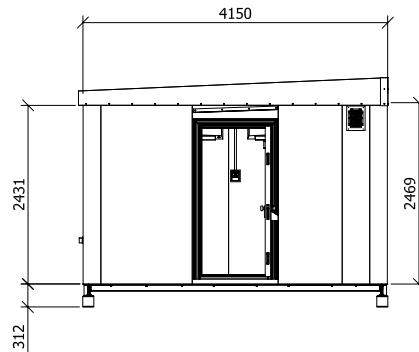
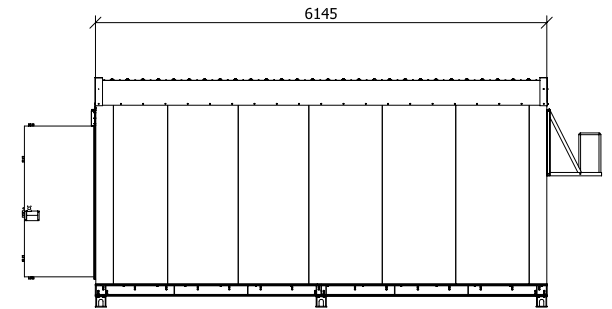


VIEW "B"

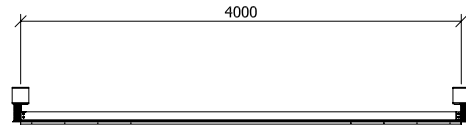


VIEW "A"

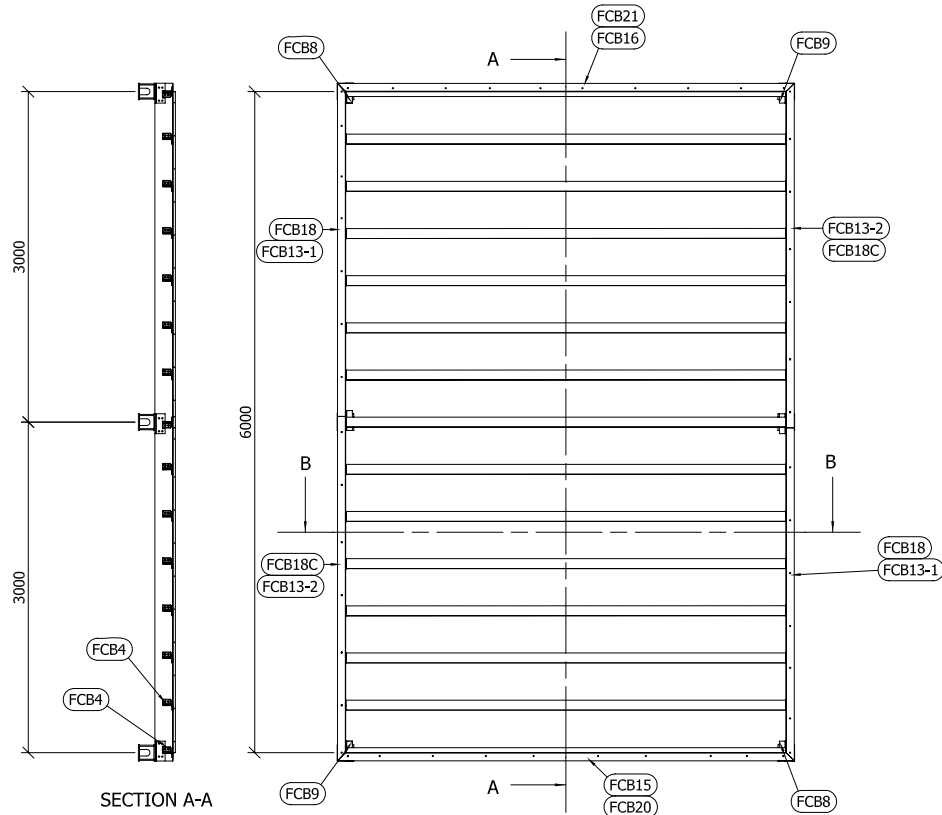


VIEW "C"

D		DRN	KSRF	PRODUCT: CABIN			
C		CHK	TRD	TITLE: GA CABIN SIZE 6.00M X 2.45M X 4.00M			
B		APP	TRD				
A	14/05/2010 (ORIGINAL)	ORIGINAL SCALE	1 : 75	@ A3 - DO NOT SCALE THIS PRINT	THIRD ANGLE PROJECTION U.N.O.	DRG.No	CXCAB_212_10F4
<b>ISSUE</b>							

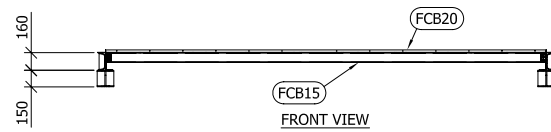


SECTION B-B

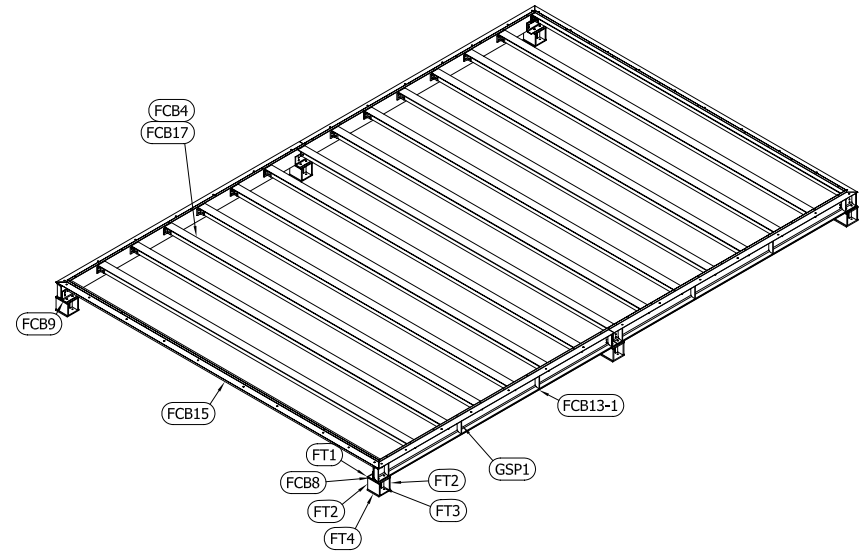


SECTION A-A

TOP VIEW

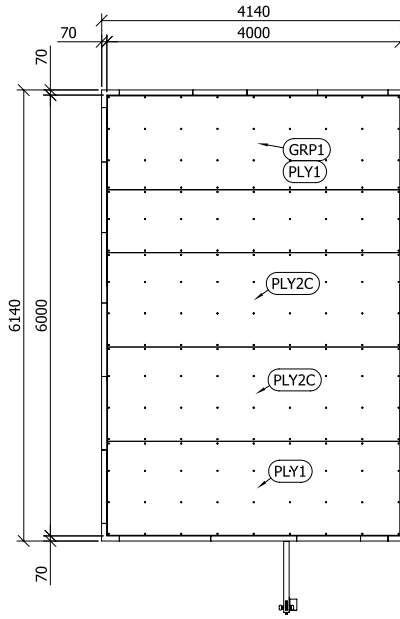


FRONT VIEW

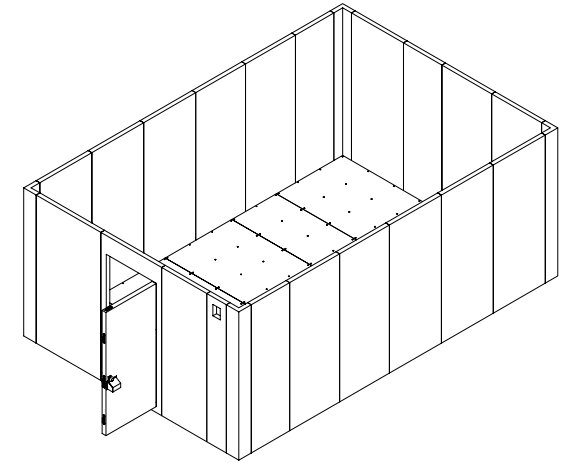


3D VIEW

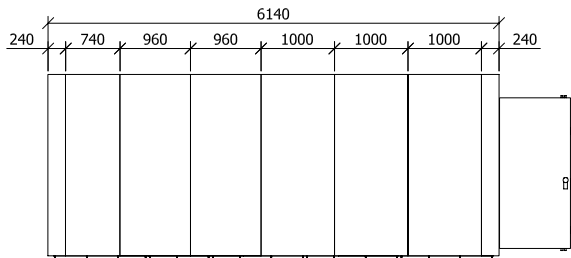
D		DRN	KSRF	PRODUCT:	CABIN			
C		CHK	TRD	TITLE:	GA CABIN SIZE 6.00M X 2.45M X 4.00M			
B		APP	TRD					
A	14/05/2010 (ORIGINAL)	ORIGINAL SCALE	NTS	@ A3 - DO NOT SCALE THIS PRINT	THIRD ANGLE PROJECTION U.N.O.	DRG.No	CXCAB_212_20F4	
<b>ISSUE</b>								



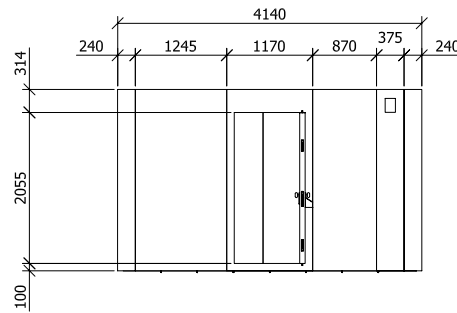
PLAN VIEW



3D VIEW

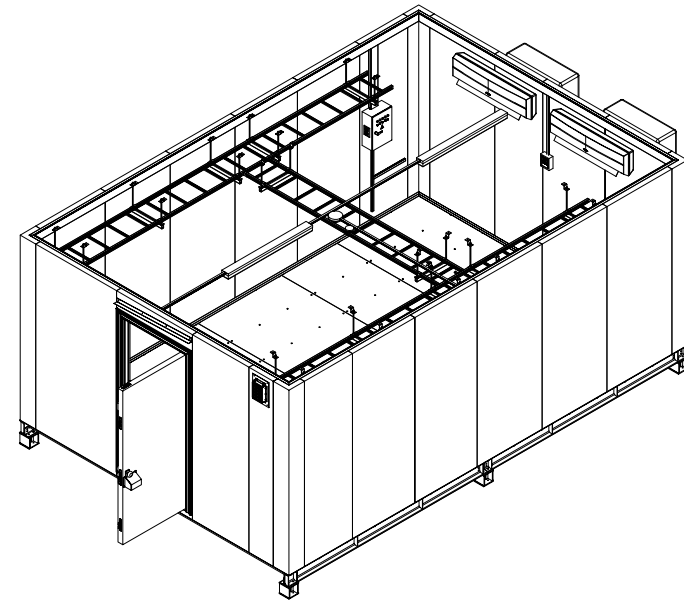
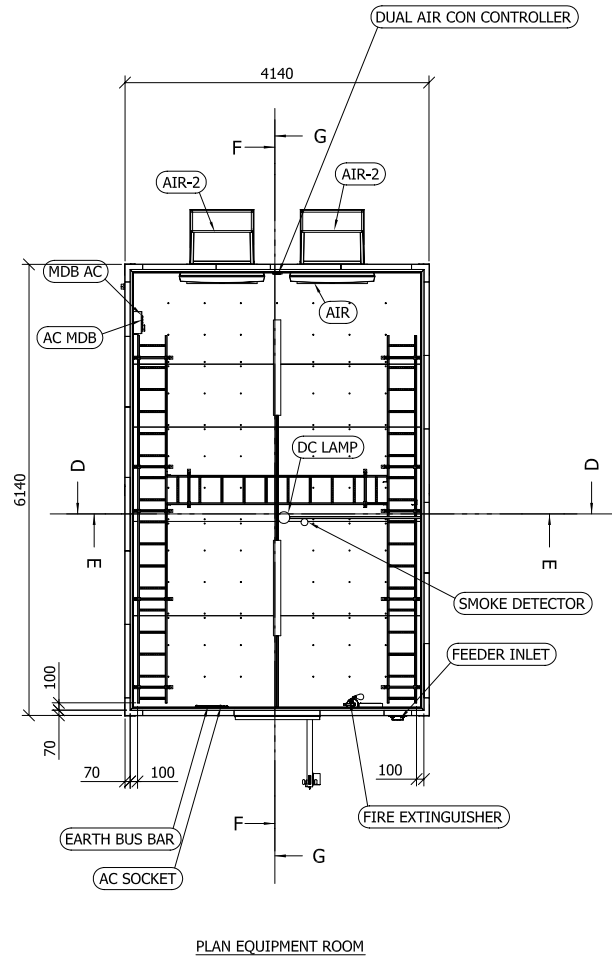


SIDE VIEW



FRONT VIEW

D		DRN	PHS	PRODUCT: CABIN			
C		CHK	TRD	TITLE: GA CABIN SIZE 6.00M X 2.45M X 4.00M ( FLOOR & WALL )			
B		APP	TRD				
A	14/05/2010 (ORIGINAL)	ORIGINAL SCALE	1 : 75	@ A3 - DO NOT SCALE THIS PRINT	THIRD ANGLE PROJECTION U.N.O.	DRG.No	CXCAB_212_30F4
<b>ISSUE</b>							



3D VIEW

D	DRN	KSRF	PRODUCT:	CABIN			
C	CHK	TRD	TITLE:	GA CABIN SIZE 6.00M x 2.45M x 4.00M (TYPICAL EQUIPMENT ROOM)			
B	APP	TRD					
A	14/05/2010 (ORIGINAL)		ORIGINAL SCALE	1 : 75	@ A3 - DO NOT SCALE THIS PRINT	THIRD ANGLE PROJECTION U.N.O.	DRG.No CXCAB_212_40F4
<b>ISSUE</b>							