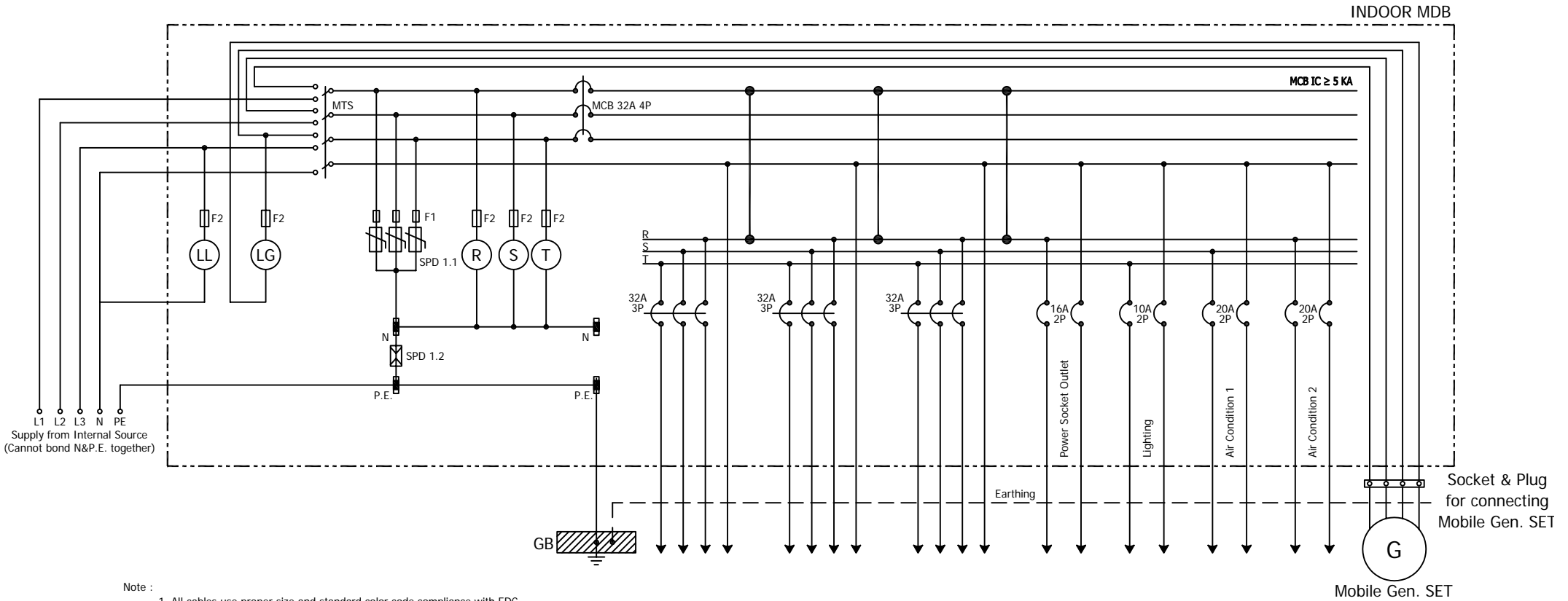


MDB THREE PHASE TT FROM INTERNAL SOURCE



Note :

1. All cables use proper size and standard color code compliance with EDC
2. Phase TT
3. MTS (Manual Transfer Switch) or Changeover switch
 - * MTS rating \geq MCCB
 - * Mobile Gen. rating \geq Whm
 - * F1 = \leq MCCB, cylindrical type
 - * F2 = Fuse 500 mA, ceramic type
- * SPD1
- * SPD1.1 = Surge (MOV)
- * SPD1.2 = Surge (spark gap N-PE)
- * LL = LED 1 watt indicator lamp for main line
- * LG = LED 1 watt indicator lamp for generator

POSITION	NAME	SIGNATURE	PROJECT NAME:			SIZE OF PAPER
DRAWING BY			SINGLE LINE DIAGRAM FOR MDB			A3
DESIGNED BY						
CHECKED BY						
ACCEPTED BY						
DATE	ISSUE	A	SCALE	DRG.No	TOTAL SHEET	SHEET NO