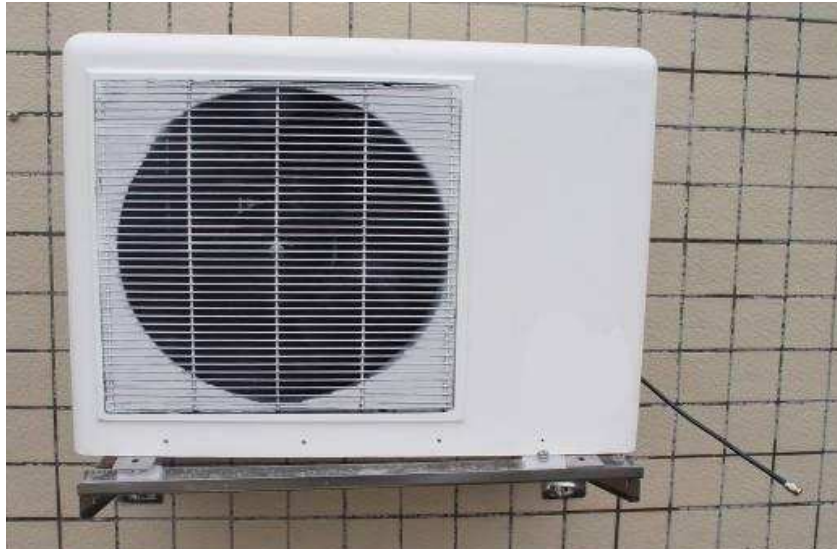


1. Example of Product

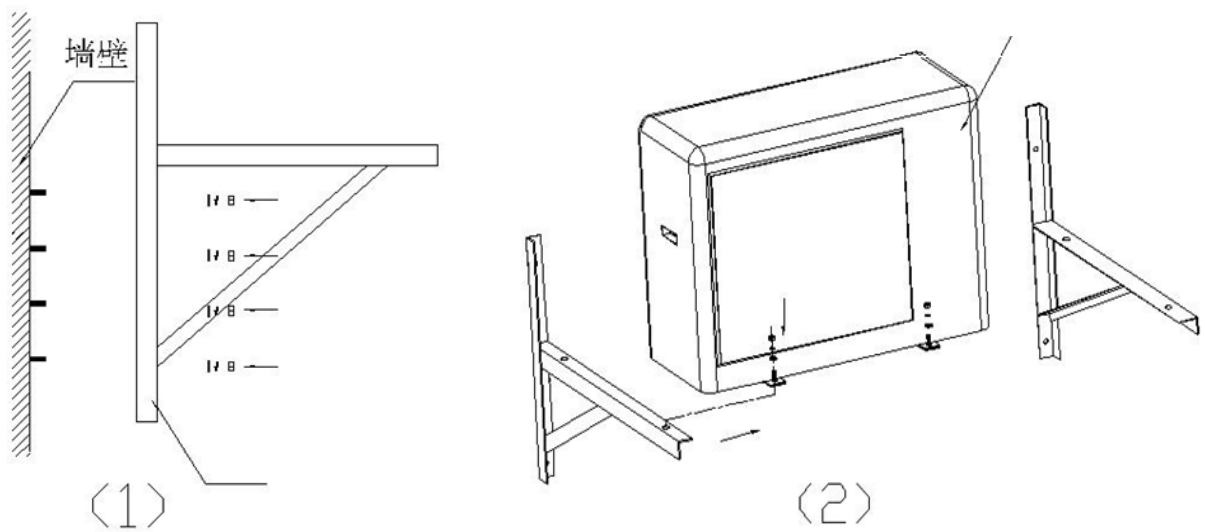


Model:360103-OKT-0008

2. Dimensions and Configurations

Radome	Fiberglass
Color	Cool gray 2U
Adjustment angle range	Horizontal angel $\pm 90^\circ$ Vertical angel $\pm 30^\circ$
Configurations	Air-conditioning landscaping antenna, bracket and explosive screw
Treatment of surface pattern	Silkscreen
Connector	Cable
Dimensions	550*750*320mm

3. Installation Steps



1. Drill four holes in the wall according to the whole site of framework
2. Install the expansion screw and tighten the bolt.
3. Fasten the Air-conditioner antenna on the framework according to the illustrations (2)