

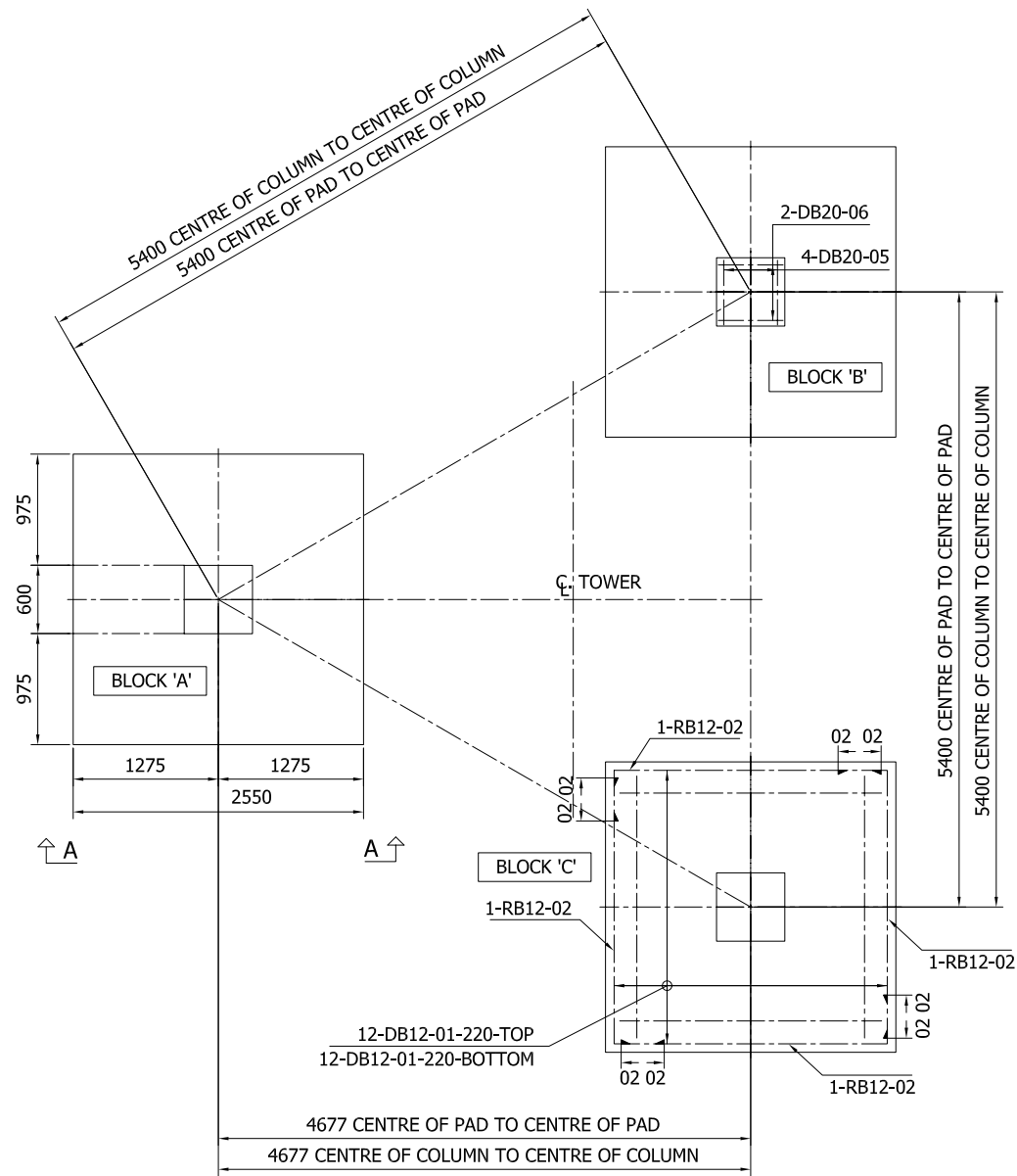
Panel No.	Drawing No.	Panel	Section			
			Leg	Diagonal	Horizontal	Bracing
1	WX-T100_217	PANEL A	CHS 89.1x2.8	CHS 34x2.3	CHS 34x2.3	
2	WX-T100_211	PANEL B	CHS 89.1x2.8	CHS 34x2.3	2M12	
3	WX-T100_218	PANEL C	CHS 114.3x3.6	CHS 42.7x2.3	2M12	
4	WX-T100_219	PANEL D	CHS 139.8x3.6	CHS 34x2.3	L 45x45x4	
5	WX-T100_220	PANEL E	CHS 139.8x4.0	CHS 42.7x2.3	2M12	
6	WX-T100_221	PANEL F	CHS 165.2x4.5	CHS 42.7x2.3	2M12	
7	WX-T100_222	PANEL G	CHS 165.2x4.5	CHS 48.6x2.3	2M12	
8	WX-T100_223	PANEL H	CHS 165.2x4.5	CHS 48.6x2.3	CHS 60.5x2.3	
9	WX-T100_224	PANEL I	CHS 216.3x4.5	CHS 76.3x2.8	CHS 76.3x2.8	
10	WX-T100_225	PANEL J	CHS 216.3x4.5	CHS 76.3x2.8	CHS 76.3x2.8	

REMARK

CHS = CIRCULAR HOLLOW SECTION JIS G3444 (STK41)

Standard Codes of Practices	ANSI/TIA 222-G : 2005				
Antenna loading, over top 10m	5.0sq.m	10.0sq.m	15.0sq.m	20.0sq.m	25.0sq.m
Basic wind speed, 3-s gust	40.0m/s	34.5m/s	30.5m/s	27.5m/s	24.5m/s
Operational wind speed, 3-s gust	34.5m/s	29.5m/s	26.5m/s	24.0m/s	22.0m/s
Maximum deflection	< 0.5 degree				

D	DRN	TRD	PRODUCT:	WX-T100			
C	CHK	TRD	TITLE:	55M TRIANGULAR TUBULAR TOWER			
B	APP	PHK					
A	12/07/2009 (ORIGINAL)	NTS	@ A3 - DO NOT SCALE THIS PRINT	THIRD ANGLE PROJECTION U.N.O.	DRG.No	MKT-206	
ISSUE		ORIGINAL SCALE					



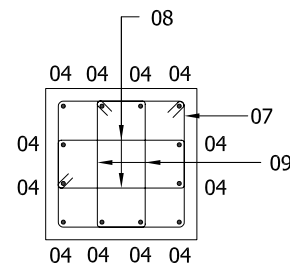
PLAN OF FOUNDATION
SCALE 1 : 65

NOTE :-

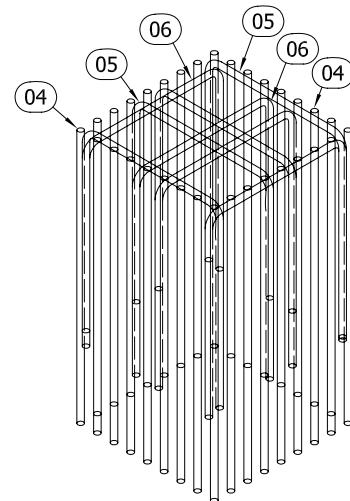
ALLOWABLE DESIGN BEARING PRESSURE $\geq 100.0 \text{ kN/m}^2$
 CONCRETE CONSTRUCTION SHALL BE IN ACCORDANCE WITH THE REQUIREMENTS OF BS.8110:1985
 CEMENT SHALL BE:- 'ORDINARY PORTLAND' OR 'SULPHATE RESISTING PORTLAND' (AS REQUIRED)
 MAXIMUM AGGREGATE SIZE SHALL BE 20mm.
 THE 28-DAY CRUSHING STRENGTH SHALL BE 30 N/mm^2 FOR STRUCTURAL CONCRETE, AND 15 N/mm^2 FOR CONCRETE FILL IN ACCORDANCE WITH BS.8110:1985.
 REINFORCEMENT STEEL SHALL HAVE $F_y = 400 \text{ MPa}$ MAIN BARS, AND $F_y = 240$ FOR CHAIRS AND LINKS.
 CONCRETE COVER SHALL BE 50mm TOP AND BOTTOM, 75mm TO SIDES, 75mm TO SIDES OF PAD, 50mm TO SIDES OF COLUMN.
 A 50mm 45° CHAMFER SHALL BE FORMED ON ALL EDGES AND RE-ENTRANT ANGLES.
 BEFORE PLACING CONCRETE, THE FOUNDATION SHALL BE FREE OF ANY LOOSE MATERIAL AND DELETERIOUS SUBSTANCES.
 WHILST PLACING, THE CONCRETE SHALL BE PROPERLY CONSOLIDATED USING MECHANICAL VIBRATORS.

NOTE FOR HDB :-

BEFORE ERECTION, ALL BASE PLATES MUST BE SET TO THE SAME LEVEL ON THE HOLDING DOWN BOLTS (H.D.B.'s). THE LEVELLING NUT ON EACH H.D.B. MUST BE TIGHT TO THE UNDERSIDE OF EACH BASE PLATE DURING ERECTION. THE BASE PLATES SHOULD BE GROUTED AS SOON AS SUFFICIENT TOWER HAS BEEN ERECTED TO CONFIRM VERTICALITY; PREFERABLY BEFORE THE TOWER EXCEEDS 1/3 OF ITS HEIGHT.



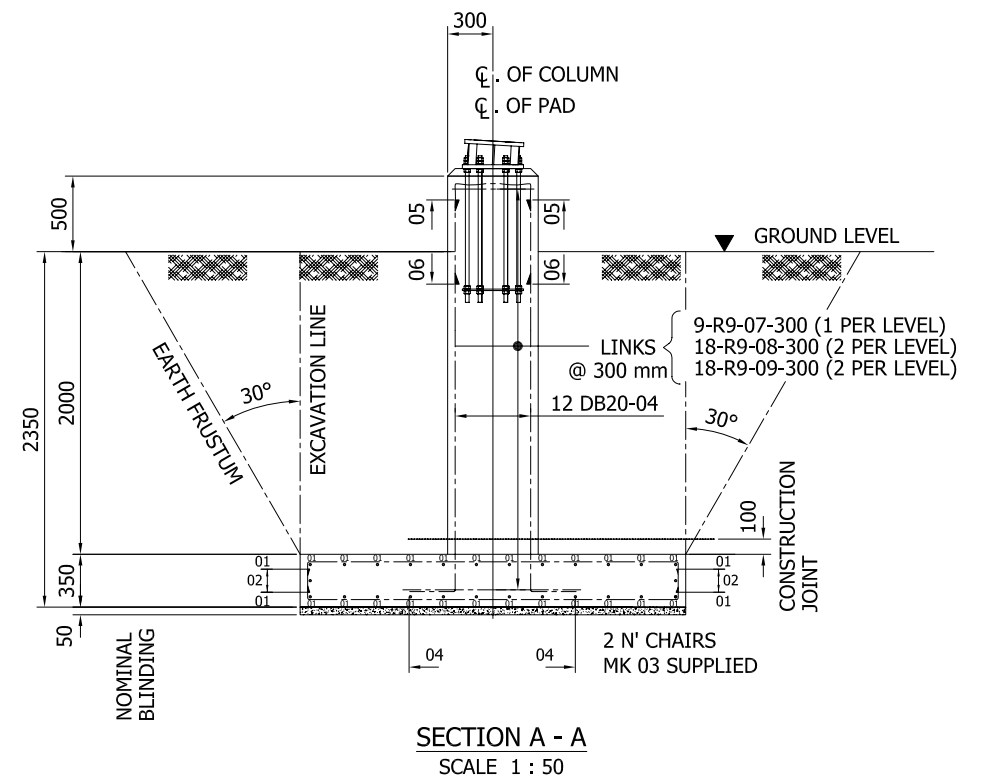
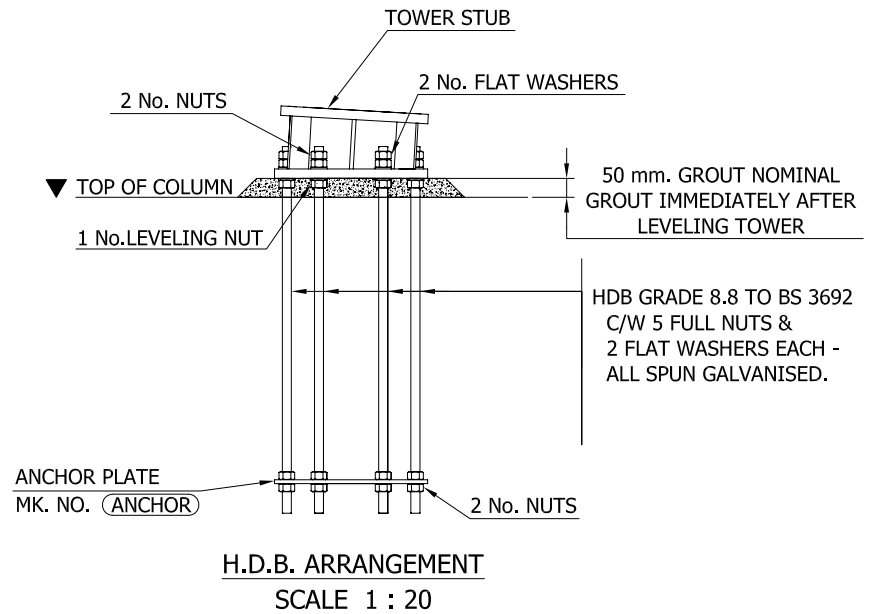
TYPICAL SECTION THROUGH COLUMN
SCALE 1 : 30



3D TOP OF COLUMN REBAR LAYOUT

NOTE:

DRAWING SHOWS 600 X 600 COLUMN WITH 32 T20 VERTICAL BARS FOR LESSER BARS OR BIGGER COLUMNS THEN POSITIONS OF REBAR CAN BE DIFFERENT



D		DRN	PHS.	PRODUCT:	WX-T100		
C		CHK	TRD.	TITLE:	GA. PAD & COLUMN FOUNDATION HEIGHT 55.0 M. 100 kpa		
B		APP	PK.				
A	15/07/2009 (ORIGINAL)	ORIGINAL SCALE	NTS	@ A3 - DO NOT SCALE THIS PRINT	THIRD ANGLE PROJECTION U.N.O.	DRG.No	MKT_106
ISSUE							

REINFORCEMENT SCHEDULE

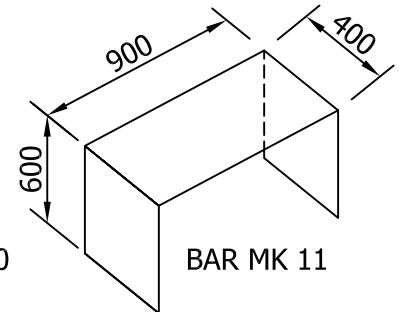
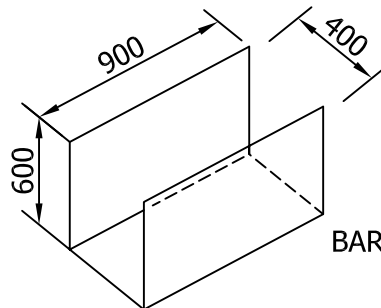
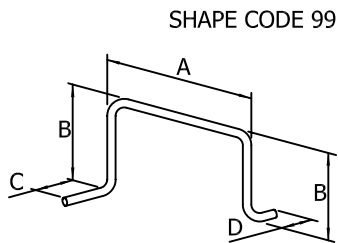
TITLE. PAD & COLUMN FOUNDATION FOR 55.0 M.
100 kPa (REF. MKT_106)

SHT.No. 1 OF 1

DRG.No. MKT_106_RE

LOCATION	BAR MK	GRADE & DIA(mm)	TOTAL No.	LENGTH OF EACH	SHAPE CODE	SKETCH OR DIMENSIONS (mm)				
						A	B	C	D	E
PAD	01	T12	144	2750	21	200	2400			
PAD	02	T12	12	2875	11	400	2375			
PAD	03	R12	6	1850	99	500	200	500	500	
COLUMN	04	T20	36	2750	11	200	2600			
COLUMN	05	T20	12	1725	21	650	500	650		
COLUMN	06	T20	12	1725	21	650	500	650		
COLUMN	07	R9	27	2260	51	500	500	130		
COLUMN	08	R9	54	850	41	100	100	500	100	100
COLUMN	09	R9	54	850	41	100	100	500	100	100
LADDER BASE	10	R10 MESH	1	-	-	SKETCH				
LADDER BASE	11	R10 MESH	1	-	-	SKETCH				

SKETCHES FOR 10+11



ISSUE	A										TOTAL WT. R9 = 76.26 Kg.
DATE	16/07/2009										TOTAL WT. R12 = 9.95 Kg.
DRAWN	PHS.										TOTAL WT. T12 = 385.73 Kg.
CHECKED	TRD.										TOTAL WT. T20 = 346.79 Kg.
APPROVED	PK.										TOTAL WT. = 818.73 Kg.