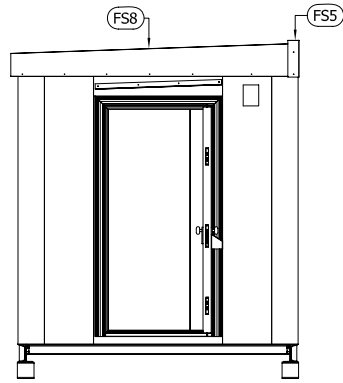
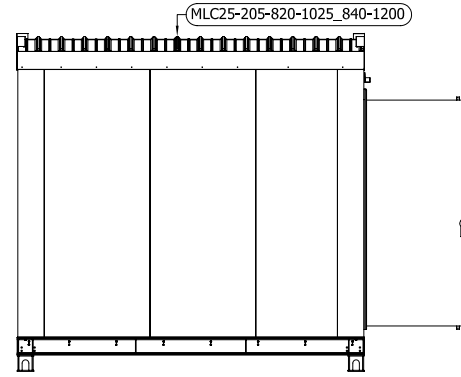


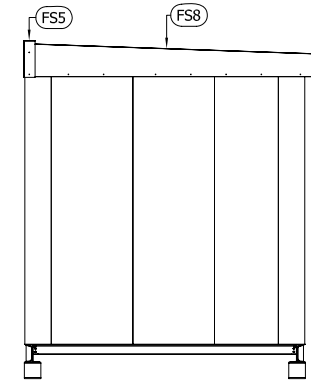
TOP VIEW



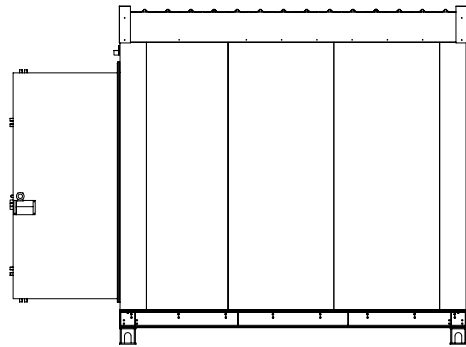
VIEW "A"



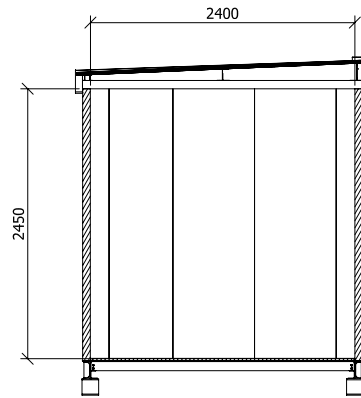
VIEW "B"



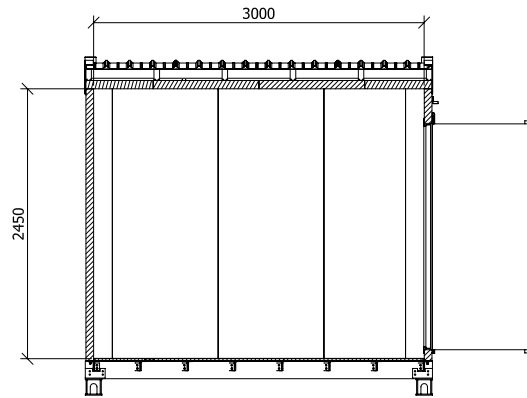
VIEW "C"



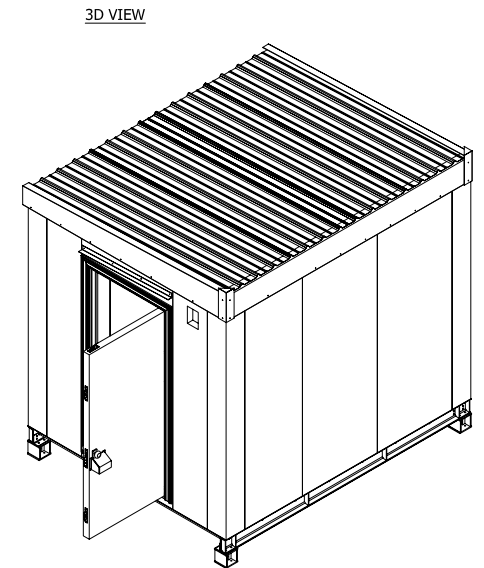
VIEW "D"



SECTION "E"

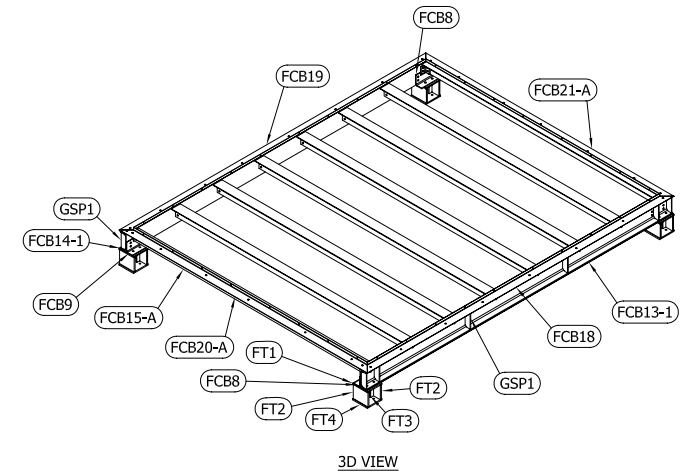
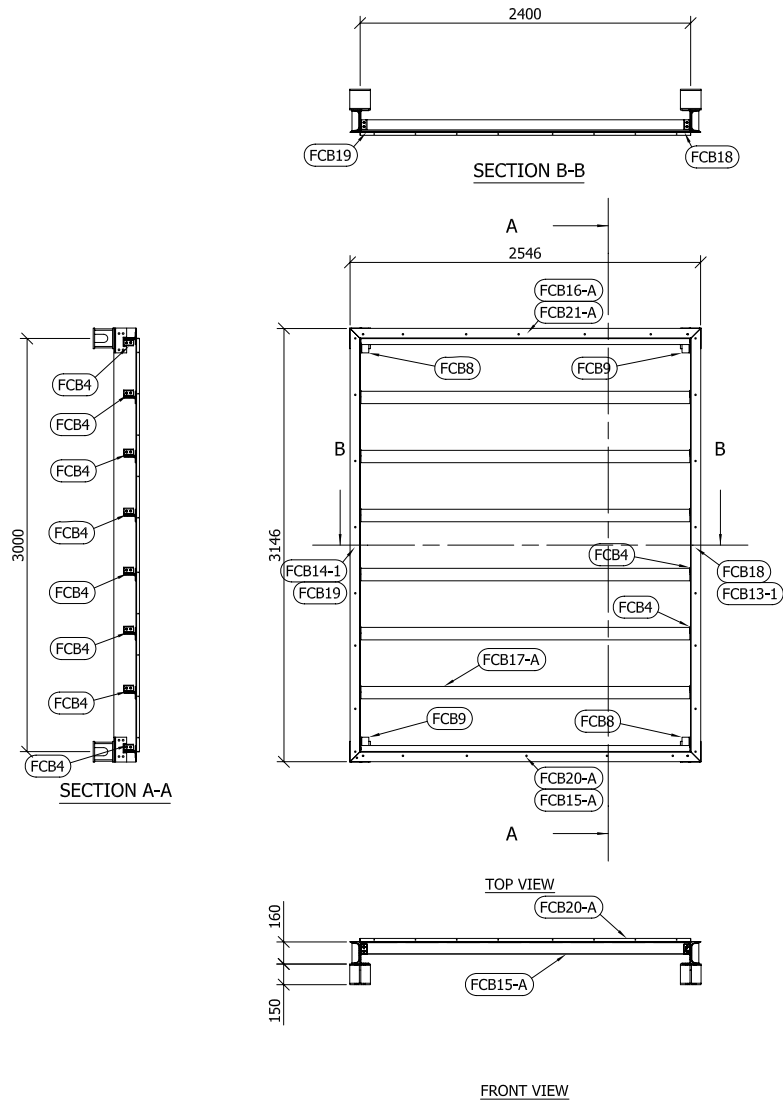


SECTION "F"

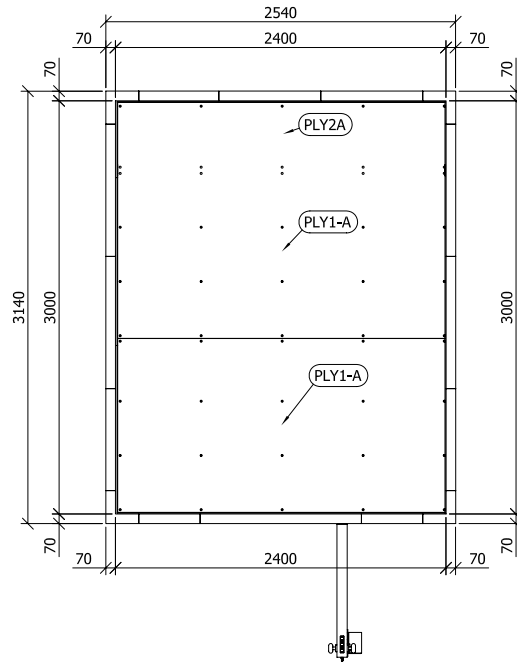


VIEW "C"

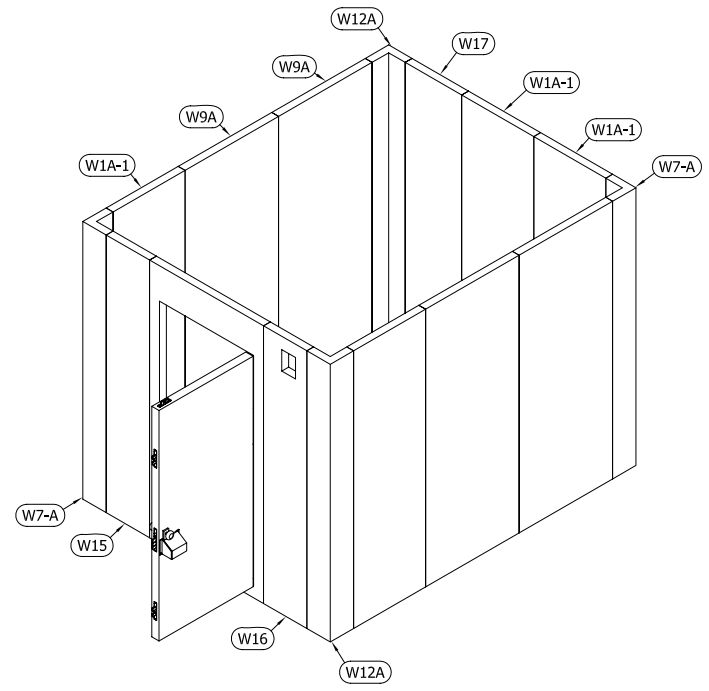
D		DRN	KSRF	PRODUCT:	CABIN		
C		CHK	TRD	TITLE:	GA. CABIN SIZE 3.0 M x 2.45 M x 2.40M		
B		APP	TRD				
A	12/05/2010 (ORIGINAL)						
	ISSUE	ORIGINAL SCALE	1 : 50	@ A3 - DO NOT SCALE THIS PRINT	THIRD ANGLE PROJECTION U.N.O.	DRG.No	CXCAB_210_10F4



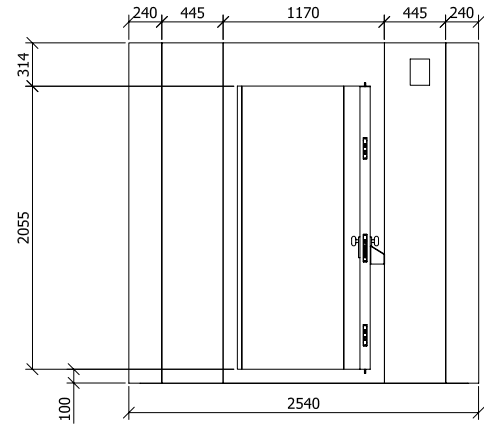
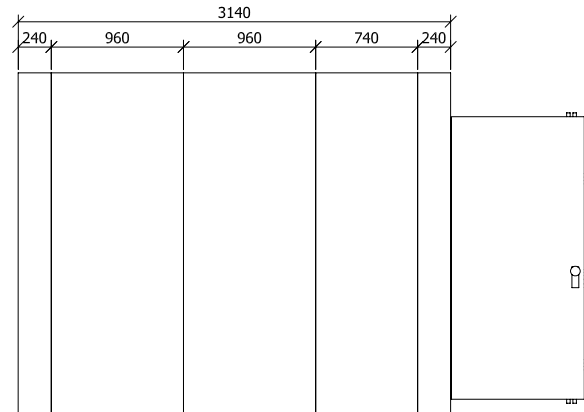
D		DRN	KSRF	PRODUCT:	CABIN			
C		CHK	TRD	TITLE:	GA CABIN SIZE 3.00M X 2.40M X 2.40M (BASE SUPPORT)			
B		APP	TRD					
A	12/05/2010 (ORIGINAL)	ORIGINAL SCALE	NTS	@ A3 - DO NOT SCALE THIS PRINT	THIRD ANGLE PROJECTION U.N.O.	DRG.No	CXCAB_210_20F4	
ISSUE								



PLAN VIEW

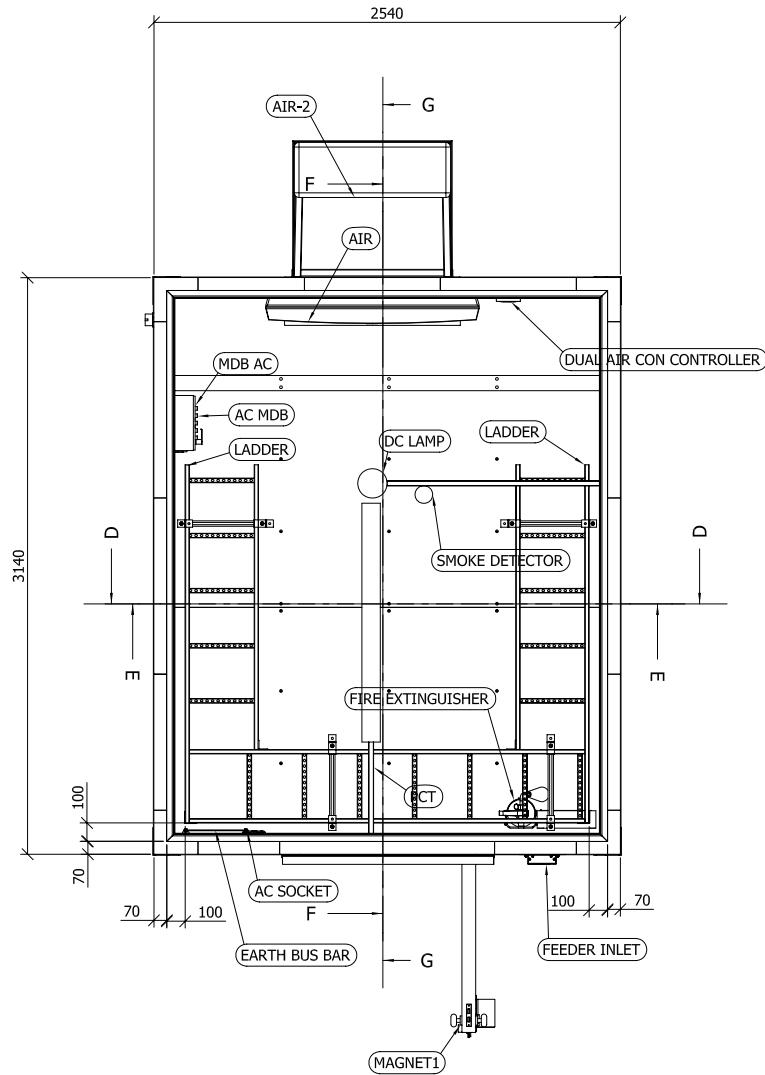


3D VIEW

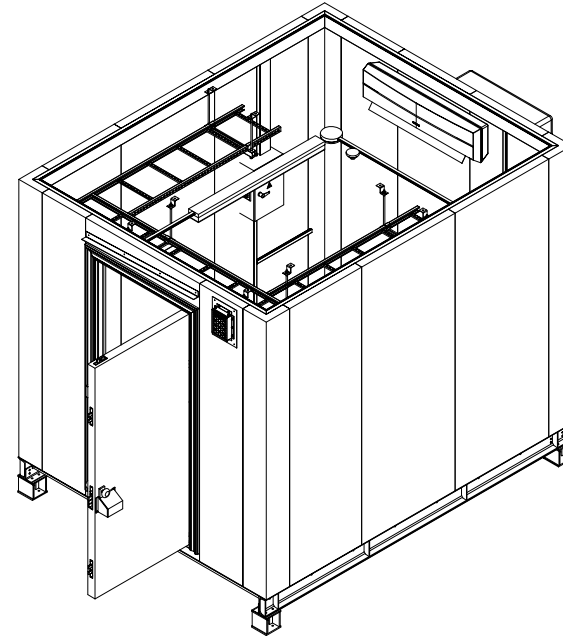


FRONT VIEW

D		DRN	KSRF	PRODUCT:	CABIN			
C		CHK	TRD	TITLE:	GA CABIN SIZE 3.00M X 2.45M X 2.40M (FLOOR & WALL)			
B		APP	TRD					
A	12/05/2010 (ORIGINAL)	ORIGINAL SCALE	NTS	@ A3 - DO NOT SCALE THIS PRINT	THIRD ANGLE PROJECTION U.N.O.		DRG.No	CXCAB_210_30F4
ISSUE								



PLAN EQUIPMENT ROOM



3D VIEW

D		DRN	KSRF	PRODUCT:	CABIN		
C		CHK	TRD	TITLE:	GA CABIN 3.00M X 2.45M X2.40M (TYPICAL EQUIPMENT ROOM)		
B		APP	TRD				
A	12/05/2010 (ORIGINAL)	ORIGINAL SCALE	NTS	@ A3 - DO NOT SCALE THIS PRINT	THIRD ANGLE PROJECTION U.N.O.	DRG.No	CXCAB_210_40F4
ISSUE							