

2.1 Example of Product

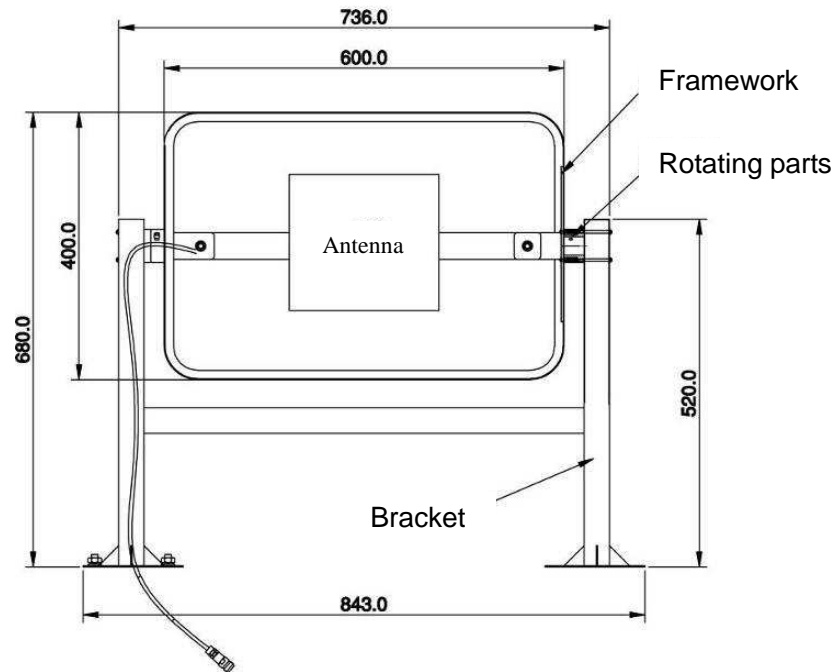


Model: 360103-CPP-0002

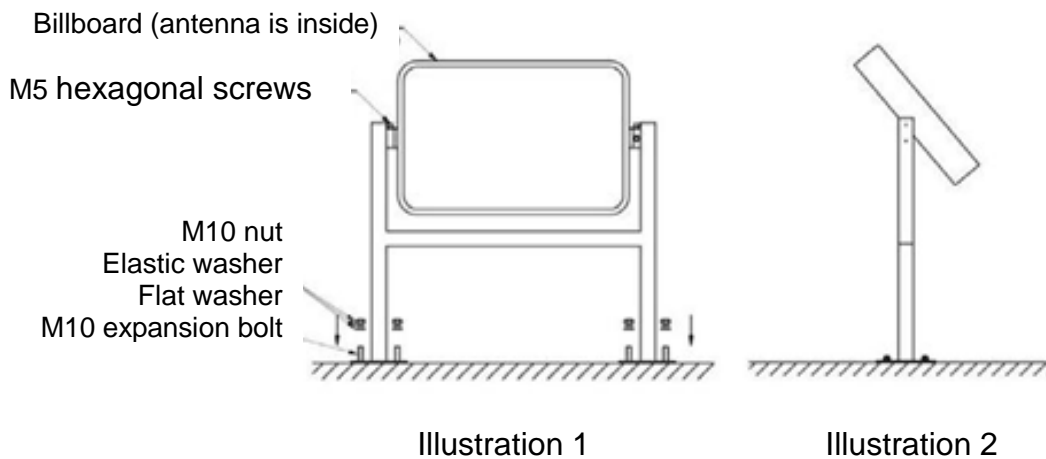
2.2 Dimensions and Configurations

Radome Material	Duralumin and PC board with glue
Print Design	Customized
Lighting	No Lighting
Configurations	Lawn Ad Board and expansion bolt
Elevation angle	0° - 60°
Connector Type	With cable
Dimensions	The detailed dimensions is as follow"

2.3 Dimensions of diagram



2.4 Installation Steps



Procedure of Installation

- 1 Embed the M12 stone bolt or expansion screw into the ground
- 2 Put the four bottom holes of the billboard into the expansion bolt in the ground
- 3 Install the M10 nut, spring washer and flat washer and then fix the antenna on the ground.

Modulation steps:

- 1 Loosen the four M5 bolts, turn to the right angle of the billboard and fasten with screws.
- 2 Fasten with hexagonal wrench after adjusting the angle. In order to avoid the looseness of the hexagonal screws, please fasten with glue on the hexagonal screws.

Note: The radiation direction is according to the marked arrow head.