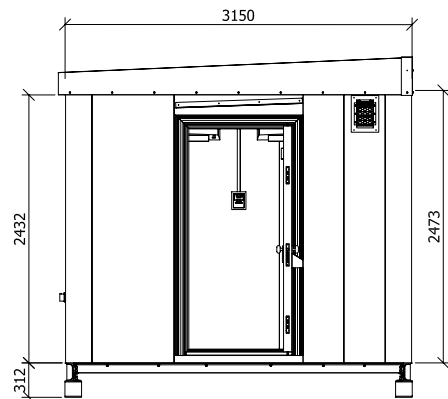
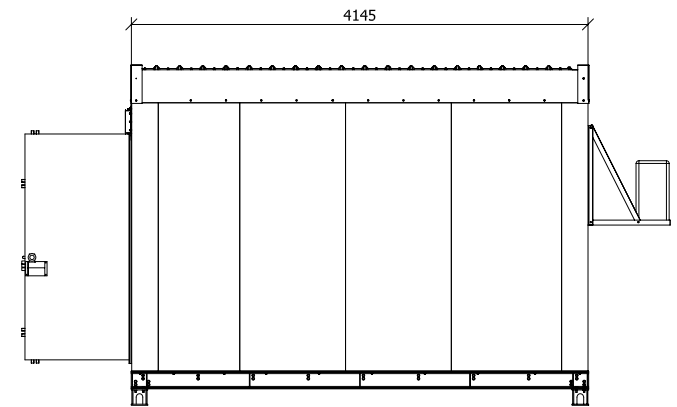


VIEW "B"

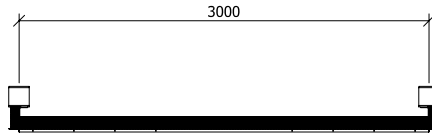


VIEW "A"

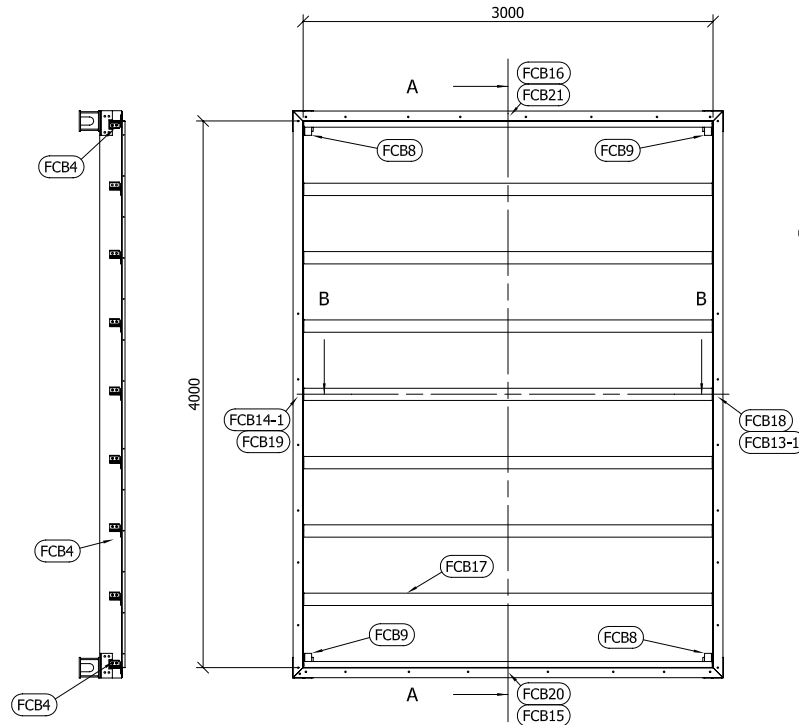


VIEW "C"

D		DRN	KSRF	PRODUCT:	CABIN			
C		CHK	TRD	TITLE:	GA CABIN SIZE 4.00M X 2.50M X 3.00M			
B		APP	TRD					
A	13/05/2010 (ORIGINAL)	ORIGINAL SCALE	1:50	@ A3 - DO NOT SCALE THIS PRINT	THIRD ANGLE PROJECTION U.N.O.	DRG.No	CXCAB_211_10F4	
ISSUE								

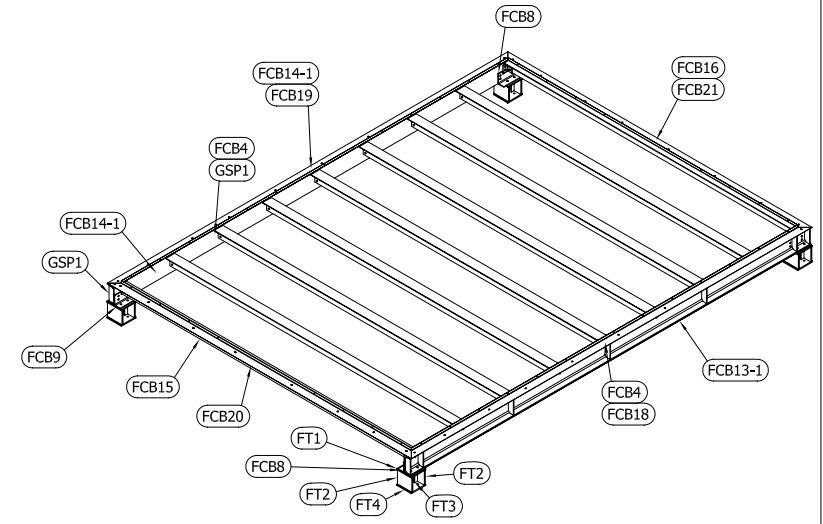


SECTION B-B

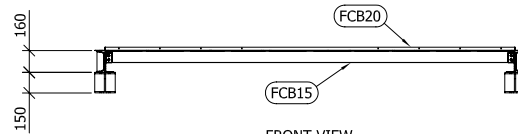


TOP VIEW

SECTION A-A

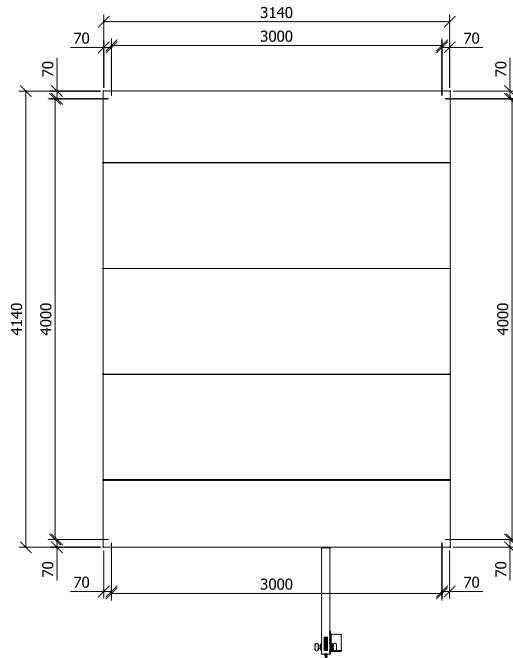


3D VIEW

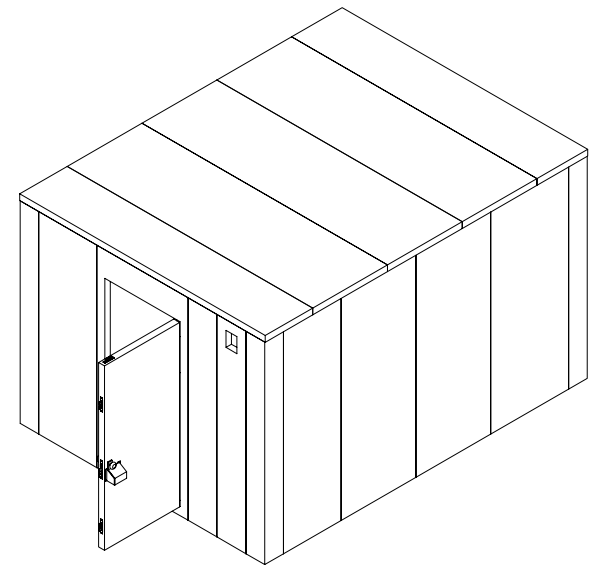


FRONT VIEW

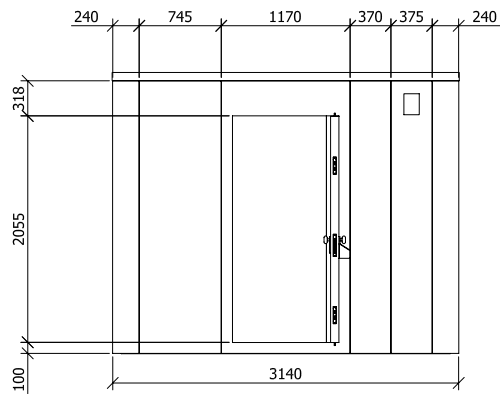
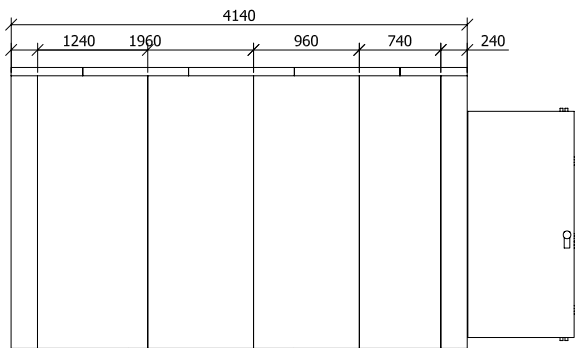
D		DRN	KSRF	PRODUCT:	CABIN			
C		CHK	TRD	TITLE:	GA CABIN SIZE 4.00 M X 2.45 M X 3.00M			
B		APP	TRD		(BASE SUPPORT)			
A	13/05/2010 (ORIGINAL)	ORIGINAL SCALE	NTS	@ A3 - DO NOT SCALE THIS PRINT	THIRD ANGLE PROJECTION U.N.O.		DRG.No	CXCAB_211_20F4
ISSUE								



PLAN VIEW

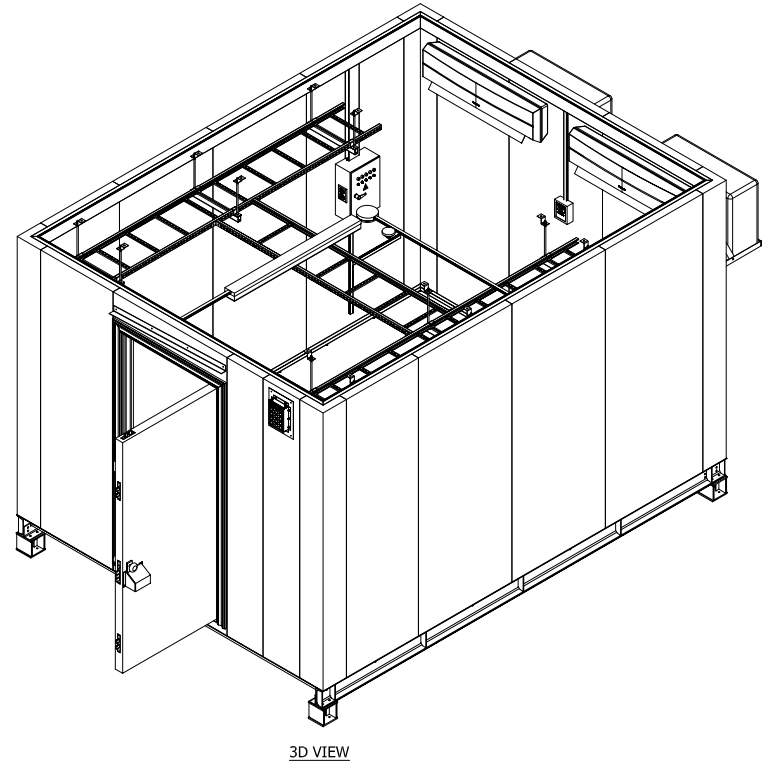
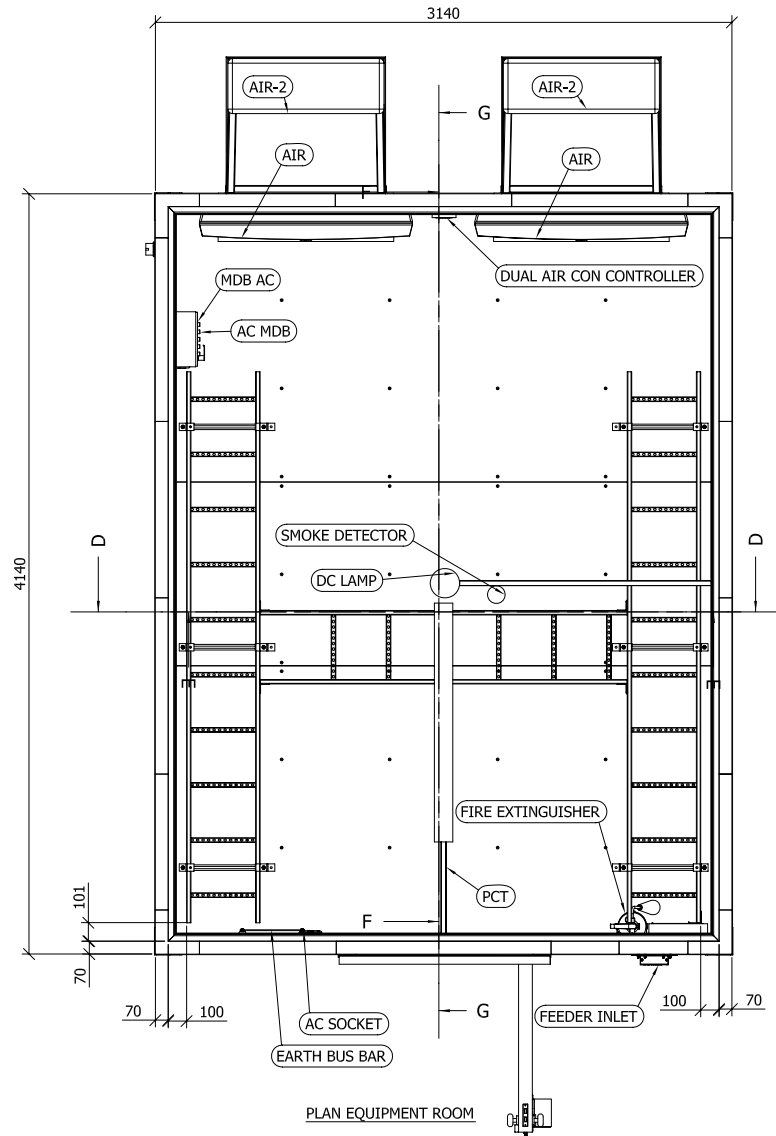


3D VIEW



FRONT VIEW

D		DRN	KSRF	PRODUCT:	CABIN			
C		CHK	TRD	TITLE:	GA CABIN SIZE 4.00M X 2.45M X 3.00M (FLOOR & WALL)			
B		APP	TRD					
A	13/05/2010 (ORIGINAL)	ORIGINAL SCALE	NTS	@ A3 - DO NOT SCALE THIS PRINT	THIRD ANGLE PROJECTION U.N.O.	DRG.No	CXCAB_211_30F4	
ISSUE								



D	DRN	KSRF	PRODUCT:	CABIN		
C	CHK	TRD	TITLE:	GA CABIN SIZE 4.00M X 4.25M X 3.00M (TYPICAL EQUIPMENT ROOM)		
B	APP	TRD				
A	13/05/2010 (ORIGINAL)		ORIGINAL SCALE	NTS	@ A3 - DO NOT SCALE THIS PRINT	THIRD ANGLE PROJECTION U.N.O.
ISSUE					DRG.No	CXCAB_211_40F4