

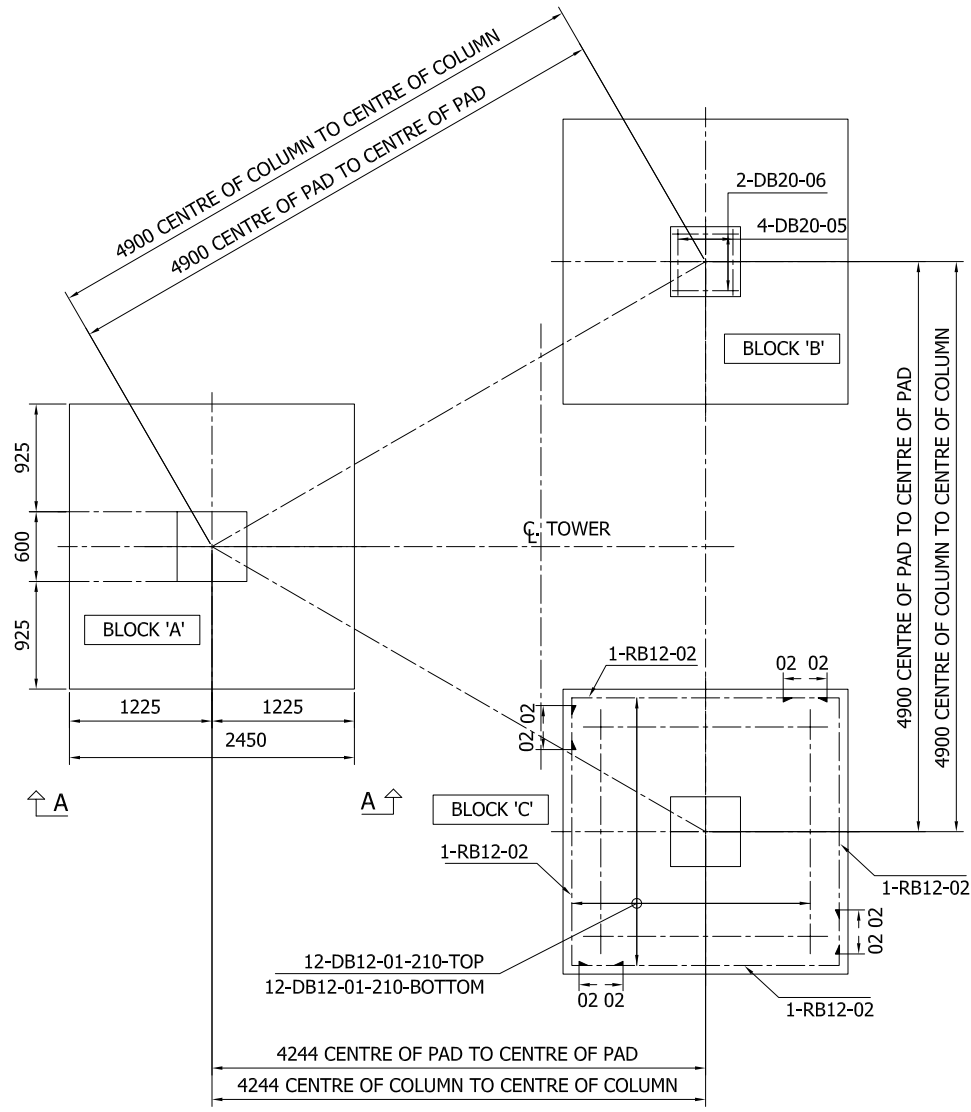
Panel No.	Drawing No.	Panel	Section			
			Leg	Diagonal	Horizontal	Bracing
1	WX-T100_217	PANEL A	CHS 89.1x2.8	CHS 34x2.3	CHS 34x2.3	
2	WX-T100_211	PANEL B	CHS 89.1x2.8	CHS 34x2.3	2M12	
3	WX-T100_218	PANEL C	CHS 114.3x3.6	CHS 42.7x2.3	2M12	
4	WX-T100_219	PANEL D	CHS 139.8x3.6	CHS 34x2.3	L 45x45x4	
5	WX-T100_220	PANEL E	CHS 139.8x4.0	CHS 42.7x2.3	2M12	
6	WX-T100_221	PANEL F	CHS 165.2x4.5	CHS 42.7x2.3	2M12	
7	WX-T100_222	PANEL G	CHS 165.2x4.5	CHS 48.6x2.3	2M12	
8	WX-T100_223	PANEL H	CHS 165.2x4.5	CHS 48.6x2.3	CHS 60.5x2.3	
9	WX-T100_224	PANEL I	CHS 216.3x4.5	CHS 76.3x2.8	CHS 76.3x2.8	

**REMARK**

CHS = CIRCULAR HOLLOW SECTION JIS G3444 (STK41)

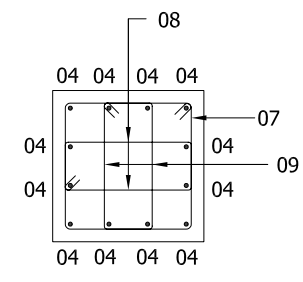
Standard Codes of Practices	ANSI/TIA 222-G : 2005				
Antenna loading, over top 10m	5.0sq.m	10.0sq.m	15.0sq.m	20.0sq.m	25.0sq.m
Basic wind speed, 3-s gust	40.5m/s	35.0m/s	30.5m/s	27.5m/s	25.5m/s
Operational wind speed, 3-s gust	36.0m/s	30.5m/s	27.5m/s	25.0m/s	23.0m/s
Maximum deflection	< 0.5 degree				

D	DRN	TRD	PRODUCT:	WX-T100			
C	CHK	TRD	TITLE:	50M TRIANGULAR TUBULAR TOWER			
B	APP	PHK					
A	12/07/2009 (ORIGINAL)	NTS	@ A3 - DO NOT SCALE THIS PRINT	THIRD ANGLE PROJECTION U.N.O.	DRG.No	MKT-207	
<b>ISSUE</b>		ORIGINAL SCALE					

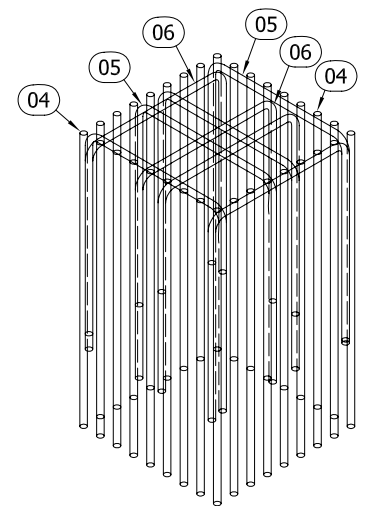


PLAN OF FOUNDATION  
SCALE 1 : 65

**NOTE FOR HDB :-**  
BEFORE ERECTION, ALL BASE PLATES MUST BE SET TO THE SAME LEVEL ON THE HOLDING DOWN BOLTS (H.D.B.s). THE LEVELLING NUT ON EACH H.D.B. MUST BE TIGHT TO THE UNDERSIDE OF EACH BASE PLATE DURING ERECTION. THE BASE PLATES SHOULD BE GROUTED AS SOON AS SUFFICIENT TOWER HAS BEEN ERECTED TO CONFIRM VERTICALITY; PREFERABLY BEFORE THE TOWER EXCEEDS 1/3 OF ITS HEIGHT.

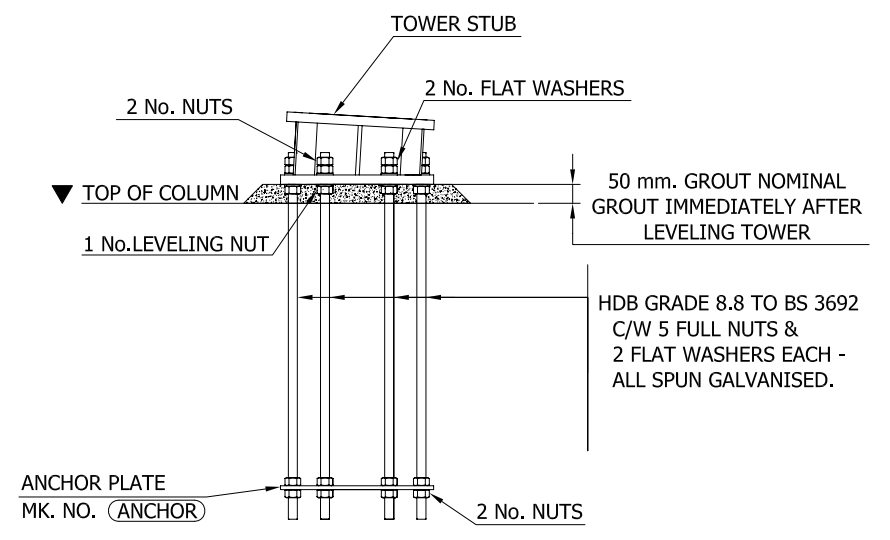


TYPICAL SECTION THROUGH COLUMN  
SCALE 1 : 30

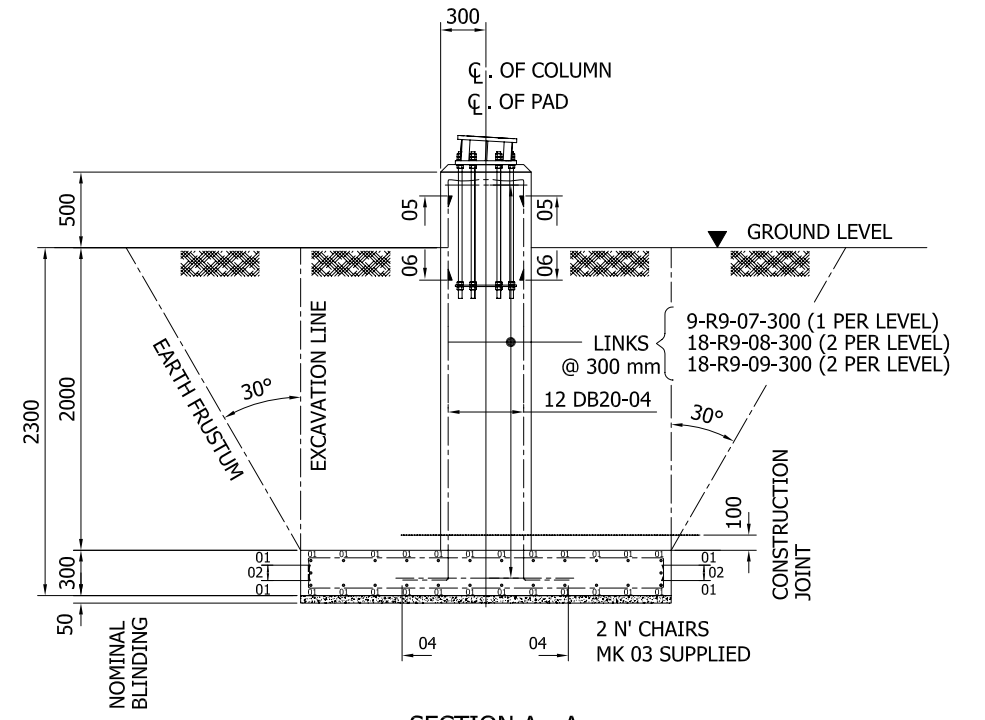


3D TOP OF COLUMN REBAR LAYOUT

**NOTE:**  
DRAWING SHOWS 600 X600 COLUMN WITH 32 T20 VERTICAL BARS FOR LESSER BARS OR BIGGER COLUMNS THEN POSITIONS OF REBAR CAN BE DIFFERENT



H.D.B. ARRANGEMENT  
SCALE 1 : 20



SECTION A - A  
SCALE 1 : 50

**NOTE :-**  
ALLOWABLE DESIGN BEARING PRESSURE  $\geq 100.0 \text{ kN/m}^2$   
CONCRETE CONSTRUCTION SHALL BE IN ACCORDANCE WITH THE REQUIREMENTS OF BS.8110:1985  
CEMENT SHALL BE:- 'ORDINARY PORTLAND' OR 'SULPHATE RESISTING PORTLAND' (AS REQUIRED)  
MAXIMUM AGGREGATE SIZE SHALL BE 20mm.  
THE 28-DAY CRUSHING STRENGTH SHALL BE  $30 \text{ N/mm}^2$  FOR STRUCTURAL CONCRETE, AND  $15 \text{ N/mm}^2$  FOR CONCRETE FILL IN ACCORDANCE WITH BS.8110:1985.  
REINFORCEMENT STEEL SHALL HAVE  $F_y = 400 \text{ MPa}$  MAIN BARS, AND  $F_y = 240$  FOR CHAIRS AND LINKS.  
CONCRETE COVER SHALL BE 50mm TOP AND BOTTOM, 75mm TO SIDES, 75mm TO SIDES OF PAD, 50mm TO SIDES OF COLUMN.  
A 50mm 45° CHAMFER SHALL BE FORMED ON ALL EDGES AND RE-ENTRANT ANGLES.  
BEFORE PLACING CONCRETE, THE FOUNDATION SHALL BE FREE OF ANY LOOSE MATERIAL AND DELETERIOUS SUBSTANCES.  
WHILST PLACING, THE CONCRETE SHALL BE PROPERLY CONSOLIDATED USING MECHANICAL VIBRATORS.

D	DRN	PHS.	PRODUCT:	WX-T100			
C	CHK	TRD.	TITLE:	GA. PAD & COLUMN FOUNDATION HEIGHT 50.0 M.			
B	APP	PK.		100 kpa			
A	15/07/2009 (ORIGINAL)	APP	ORIGINAL SCALE	NTS	@ A3 - DO NOT SCALE THIS PRINT	THIRD ANGLE PROJECTION U.N.O.	DRG.No
ISSUE							MKT_107

