

1.1 Example of Product

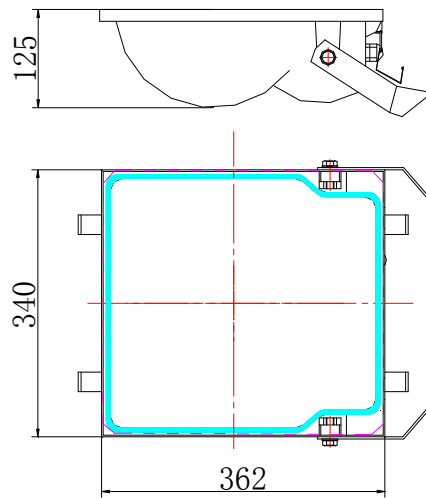


Model: 360103-OSD-0001

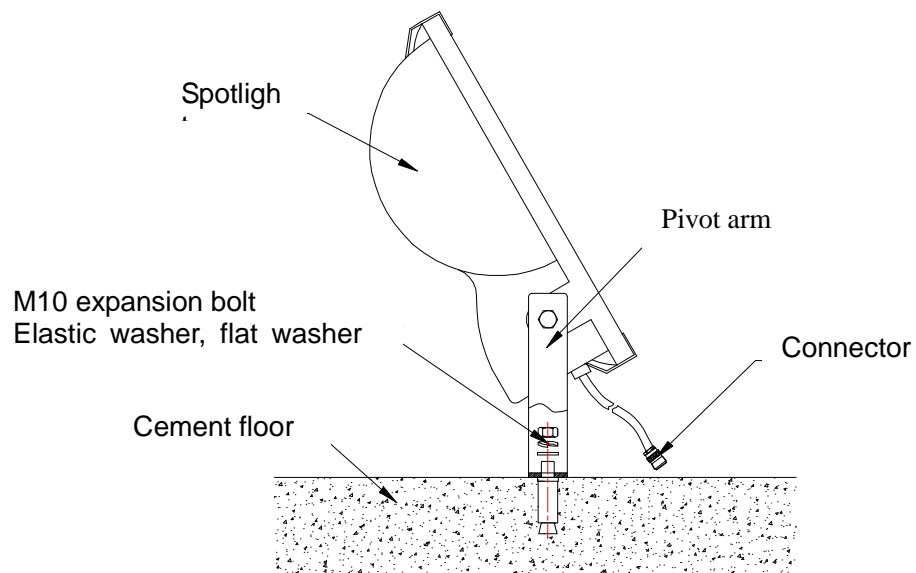
1.2 Dimensions and Configurations

Radome Material	Duralumin and PC board
Standard color	Dark
Light	No Lighting
Configurations	Spotlight and M10 anchor bolt
Elevation angle	$\pm 45^\circ$
Connector Type	With cable
Dimensions	340*330*190mm

1.3 Dimensions of diagram



1.4 Installation Steps



Procedure of Installation

- ① Punch holes at the location of the antenna according to the hole site of the gantry;
- ② Fix the spotlight on the installing location with the expansion screw.